

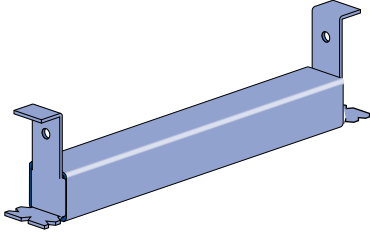


### P3200 Series

1 5/8" x 1 3/8" Channel

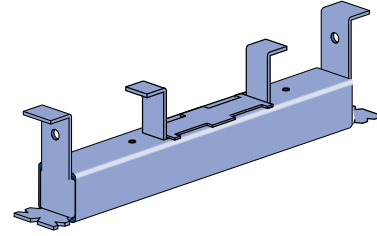
Page 1 of 2

P3249 thru P3252



"NC" Suffix – No Closure Strip, With End Caps  
 "WC" Suffix – With Closure Strip & End Caps

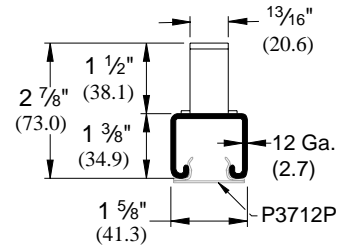
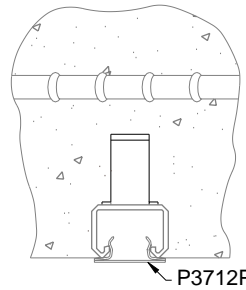
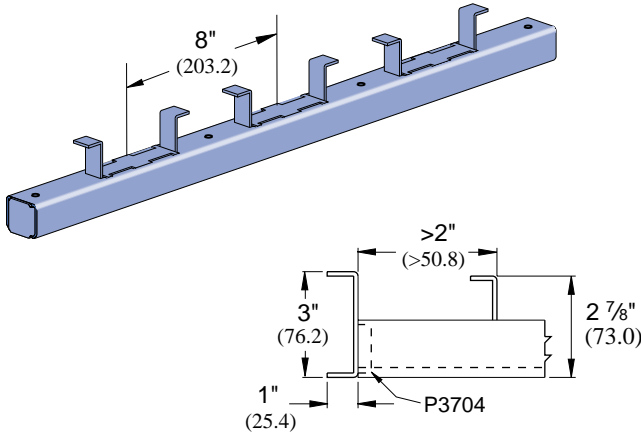
P3253



"NC" Suffix – No Closure Strip, With End Caps & Back Plates  
 "WC" Suffix – With Closure Strip, End Caps & Back Plates

"NC" Suffix – No Closure Strip, W/End Caps & Back Plates  
 "WC" Suffix – W/Closure Strip, End Caps & Back Plates  
 "X" – No Closure Strip, No End Caps, W/Back Plates

P3254 thru P3270



### MATERIAL

Cold-formed inserts are manufactured from standard 12 gauge (2.7 mm) Unistrut channel sections conforming to ASTM A1011 SSGR 33 or ASTM A653 GR 33, unless otherwise noted.

Hot-rolled inserts, as noted, are manufactured from carbon steel meeting physical requirements of ASTM A283 GR D.

To inhibit concrete seepage, all inserts (except spot inserts) are provided with closure strips and end caps or foam filler, unless otherwise requested.

Most concrete inserts are available in stainless steel on special order. Consult factory for ordering information.

### FINISHES

Cold-formed, standard-duty, light-duty and spot concrete inserts are available in Perma-Green II (GR), hot dipped galvanized (HG), conforming to ASTM A123 or A153; pre-galvanized (PG), conforming to ASTM A653 GR 33 and plain (PL).

Project: \_\_\_\_\_

Architect / Engineer: \_\_\_\_\_

Date: \_\_\_\_\_ Phone: \_\_\_\_\_

Contractor: \_\_\_\_\_

Address: \_\_\_\_\_


Notes 1: \_\_\_\_\_

Notes 2: \_\_\_\_\_

Approval Stamp:

## P3200 Series

## 1<sup>5</sup>/<sub>8</sub>" x 1<sup>3</sup>/<sub>8</sub>" Channel

-  when used for sprinkler systems.
- Includes closure and end caps unless otherwise requested.
- P3280 end cap used when distance to first anchor is up to 2" (50.8 mm).
- P3704 end cap is used when end distance to first anchor is over 2" (50.8 mm).
- Nail or anchor inserts to forms every 16" (406 mm) to 24" (610 mm).
- Anchors are 8" (203.2 mm) on center.
- Material: Cold formed from 12 Ga. (2.7 mm) steel conforming to ASTM A1011 SS GR 33 or ASTM A653 GR 33. A. Stainless steel available on special order.
- Finish: Choice of Perma-Green II (GR), hot-dipped galvanized (HG) conforming to ASTM A123 or A153, pre-galvanized (PG) conforming to ASTM A653-G90, or plain (PL).

Part Number	Insert Length In/Ft (mm)	Wt/100 pcs Lbs (kg)	Max. Allowable Point Load Lbs (kg)	Min. Spacing of Pt. Loads In (mm)	Max. Allowable Uniform Load Lbs (kg)
P3249	3" 76.2	85 38.6	500 226.8	—	500 226.8
P3250	4" 101.6	100 45.4	800 362.9	—	800 362.9
P3251	6" 152.4	130 59.0	1,000 453.6	—	1,000 453.6
P3252	8" 203.2	159 72.1	1,200 544.3	—	1,200 544.3
P3253	12" 304.8	227 103.0	2,000 907.2	—	2,000 907.2
P3254	16" 406.4	270 122.5	2,000 907.2	12 304.8	4,000 1,814.4
P3255	20" 508.0	357 161.9	2,000 907.2	12 304.8	4,000 1,814.4
P3256	24" 609.6	399 181.0	2,000 907.2	12 304.8	4,000 1,814.4
P3257	32" 812.8	527 239.0	2,000 907.2	12 304.8	2,000 Lbs./Ft. 2,976.3 (kg/m)
P3257A	36" 914.4	616 279.4	2,000 907.2	12 304.8	2,000 Lbs./Ft. 2,976.3 (kg/m)
P3258	40" 1,016.0	661 299.8	2,000 907.2	12 304.8	2,000 Lbs./Ft. 2,976.3 (kg/m)
P3259	4' 1,219.2	786 356.5	2,000 907.2	12 304.8	2,000 Lbs./Ft. 2,976.3 (kg/m)
P3260	5' 1,524.0	1,003 455.0	2,000 907.2	12 304.8	2,000 Lbs./Ft. 2,976.3 (kg/m)
P3261	6' 1,828.8	1,173 532.1	2,000 907.2	12 304.8	2,000 Lbs./Ft. 2,976.3 (kg/m)
P3262	7' 2,133.6	1,390 630.5	2,000 907.2	12 304.8	2,000 Lbs./Ft. 2,976.3 (kg/m)
P3263	8' 2,438.4	1,560 707.6	2,000 907.2	12 304.8	2,000 Lbs./Ft. 2,976.3 (kg/m)
P3264	9' 2,743.2	1,741 789.7	2,000 907.2	12 304.8	2,000 Lbs./Ft. 2,976.3 (kg/m)
P3265	10' 3,048.0	1,947 883.1	2,000 907.2	12 304.8	2,000 Lbs./Ft. 2,976.3 (kg/m)
P3266	12' 3,657.6	2,334 1,058.7	2,000 907.2	12 304.8	2,000 Lbs./Ft. 2,976.3 (kg/m)
P3267	14' 4,267.2	2,717 1,232.4	2,000 907.2	12 304.8	2,000 Lbs./Ft. 2,976.3 (kg/m)
P3268	16' 4,876.8	3,116 1,413.4	2,000 907.2	12 304.8	2,000 Lbs./Ft. 2,976.3 (kg/m)
P3269	18' 5,486.4	3,530 1,601.2	2,000 907.2	12 304.8	2,000 Lbs./Ft. 2,976.3 (kg/m)
P3270	20' 6,096.0	3,882 1,760.8	2,000 907.2	12 304.8	2,000 Lbs./Ft. 2,976.3 (kg/m)