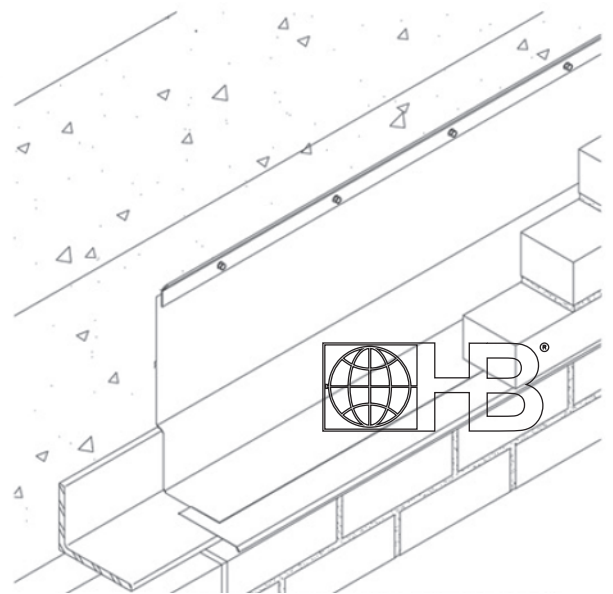
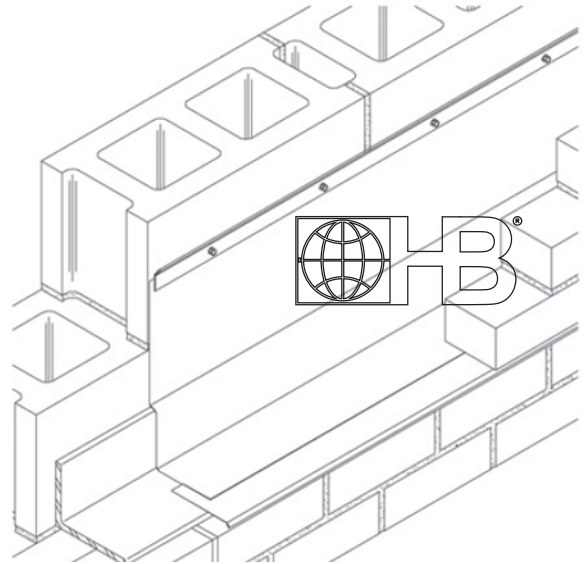
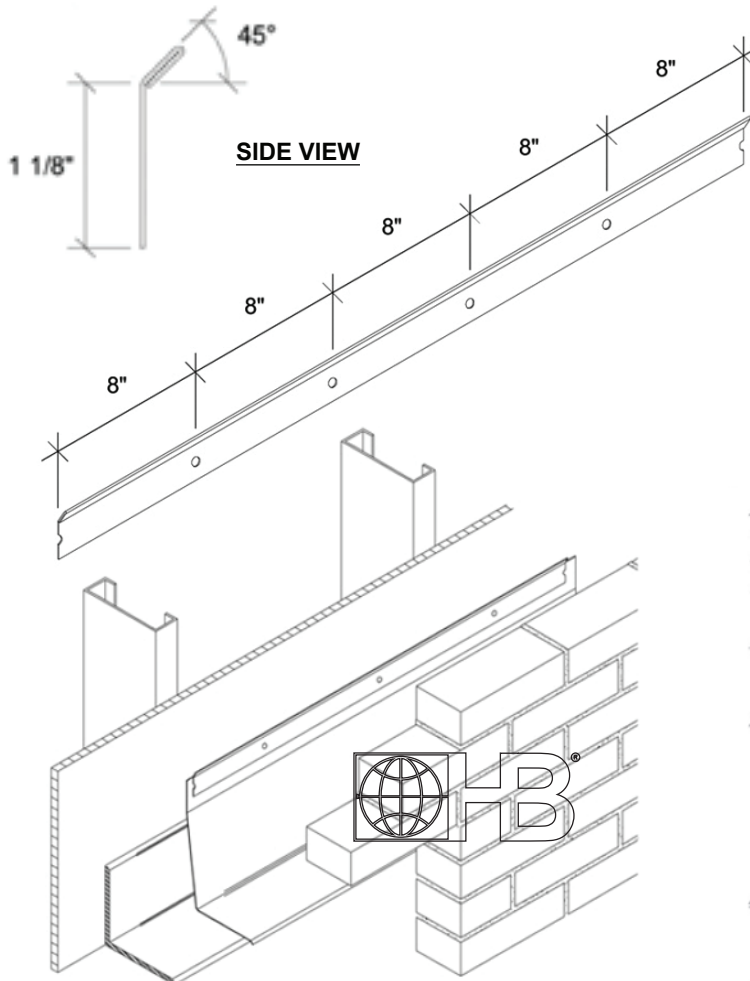




## Flashing and Reglets T2 - Termination Bar



DRAWINGS FOR ILLUSTRATIVE PURPOSES ONLY

### T2 - Termination Bar

Used at top of flashing to mechanically secure it to backup. Compatible with all H&B Surface-Mount membrane and copper-laminate flashings.

NOTE: Available with optional Foam-Tite Seal™ to aid in inhibiting moisture infiltration. A factory-installed foam strip helps to seal small voids occurring between the termination bar and irregular substrate surfaces, while offering protection against water penetration due to sealant deterioration.

**Product:** (Type 304 Stainless Steel, 26 Gauge)

- T2  
 OPTIONAL: T2-FTS (Foam-Tite Seal™)

### Dimensions:

- 26 ga. x 1 1/2" x 8' long
- Has a 3/8" flange on top for easy caulking
- 1/4" holes spaced 8" o.c.  
(Can be used for 16" or 24" o.c. metal stud backup)

HOHMANN & BARNARD, Inc.  
30 Rasons Court  
Hauppauge, NY 11788  
T: 800.645.0616 F: 631.234.0683  
[www.h-b.com](http://www.h-b.com)

SANDELL  
310 Wayto Road  
Schenectady, NY 12303  
T: 800.283.3888 F: 518.357.9636  
[www.sandellmfg.com](http://www.sandellmfg.com)

© HOHMANN & BARNARD, INC. - 2011