

Specifications

Sure Cavity™ (SC 5016)

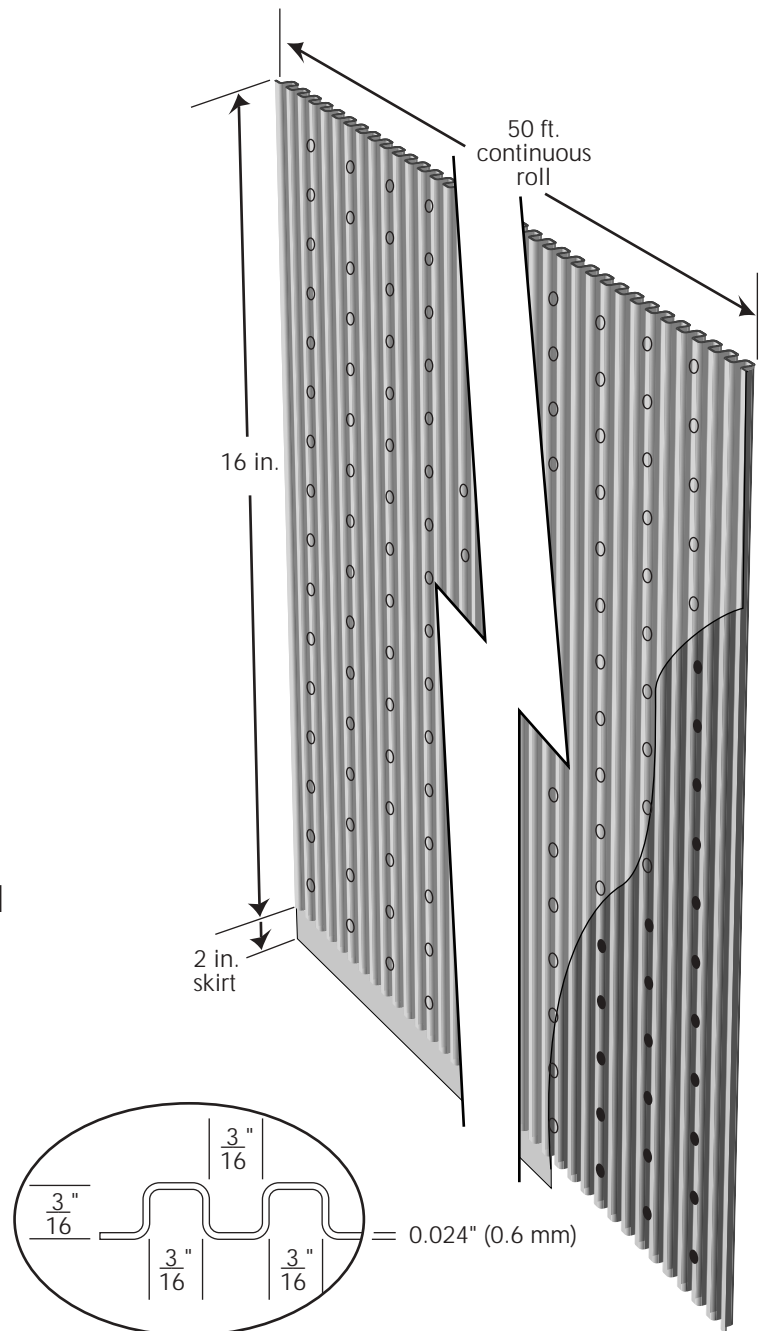
For Natural Stone Veneer Walls

MTI Sure Cavity™ (SC 5016):

Perforated 0.024" (0.6 mm) thick, high impact polystyrene strip formed with 3/16" (4.8 mm) deep corrugations and 16" wide with a 18" spunbonded polypropylene fabric (Flux, water flow rate, 200 gal/SF/min; ASTM D 4491-99a) on one side with a 2" (51 mm) skirt on one edge.

MTI Sure Cavity™ Installation:

1. Position Sure Cavity 1/4 inch up, off of flashing, with spunbond fabric facing to outside of building with 2" skirt overlapping belt of Stone Cavity Weep.
2. Spunbond fabric 2" skirt should overlap the top edge of previously installed Sure Cavity.



PACKAGING INFORMATION

Sure Cavity™ (part number SC 5016)

Roll Contains

1 Roll = 66.66 sq. ft. (50' x 16" wide)

Box Contains

4 Rolls/box/266.66 sq. ft.

Pallet Contains

12 Boxes/pallet/3199.68 sq. ft.

SC5016a 07.08.03