

## DUR-O-WAL® Movement Joint Products

### Rapid® Control Joint Rubber Compound

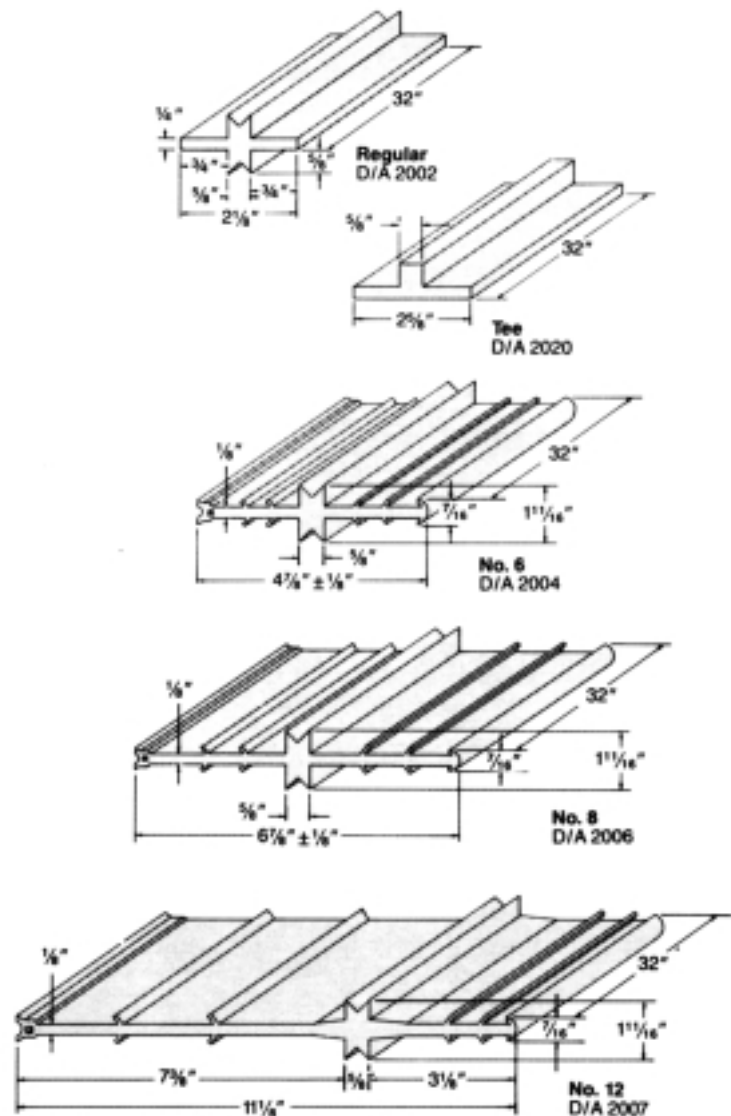
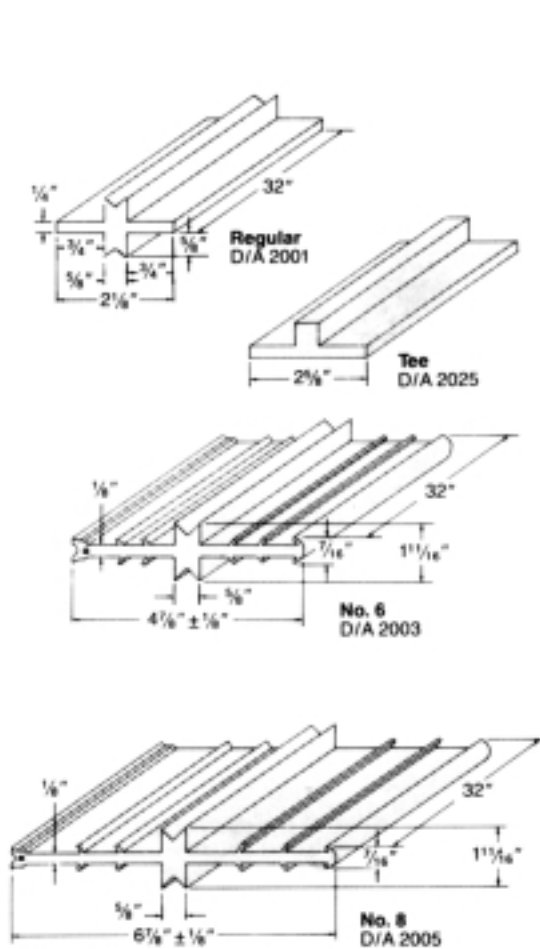
#### Shear Strength

Control Joint Type	Average Load per 8" of Joint (lbs)	Shear Strength (psi)
Wide Flange	2350	470
Regular	2706	541

### Rapid® Poly-Joint P.V.C. Compound

#### Shear Strength

Control Joint Type	Average Load per 8" of Joint (lbs)	Shear Strength (psi)
Wide Flange	2283	490
Regular	2831	566



### Customer Service

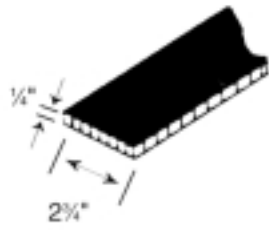
Aurora, IL (800) 323-0090 • Folcroft, PA (800) 368-2035 • Birmingham, AL (800) 821-9296 • Phoenix, AZ (800) 235-0024

### Technical Service

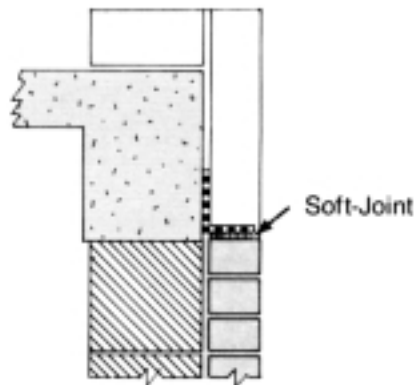
www.dur-o-wal.com • Email: info@dur-o-wal.com • Fax-On-Demand: (800) 254-8958

**DUR-O-WAL® Movement Joint Products**

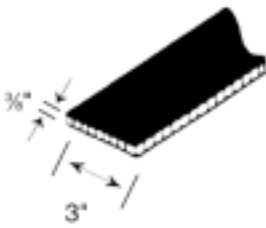
**Rapid Soft Joint  
With Adhesive Backing  
D/A 2010**



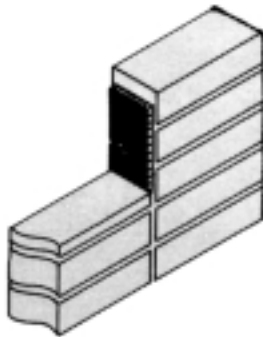
50' Rolls



**Rapid Expansion Joint  
D/A 2015**



50' Rolls



**Warning**

The information contained in this publication does not constitute any professional opinion or judgement and should not be used as a substitute for competent professional determinations. Each construction project is unique and the appropriate use of this product is the responsibility of the engineers, architects and other professionals who are familiar with the specific requirements of the project.

**Warranty**

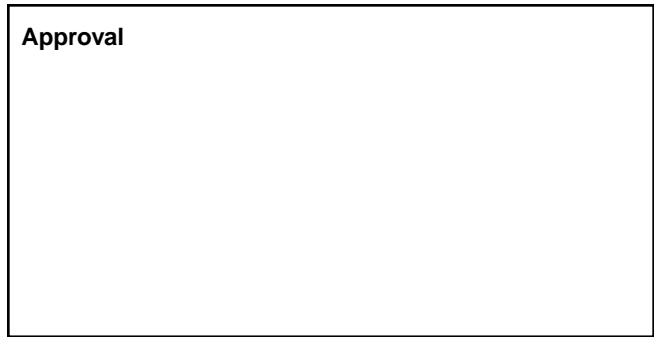
Seller makes no warranty of any kind, express or implied, except that the goods sold under this agreement shall be of the standard quality of seller, and buyer assumes all risk and liability resulting from the use of the goods, whether used singly or in combination with other goods. Seller neither assumes nor authorizes any person to assume for seller any other liability in connection with the sale or use of the goods sold, and there is no oral agreement or warranty collateral to or affecting this transaction.

Other sizes Avail.  
Call for Quote.

**Material Specifications**

Closed Cell  
Neoprene

ASTM D 1056  
CLASS RE41  
AND 2A1



**Sales and Services Centers**

625 Crane Street  
Aurora, IL 60505  
(800) 323-0090  
Fax: (630) 898-1378

3 Horne Drive  
Folcroft, PA 19032  
(800) 368-2035  
Fax: (610) 534-7206

1401 Meadowcraft Road  
Birmingham, AL 35215  
(800) 821-9296  
Fax: (205) 856-0965

4810 South 40th Street, Suite 3  
Phoenix, Arizona 85040  
(800) 235-0024  
Fax: 602-431-9667