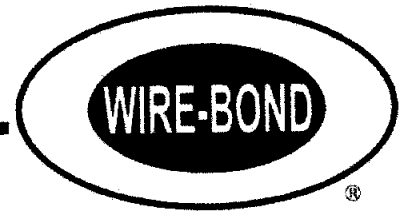
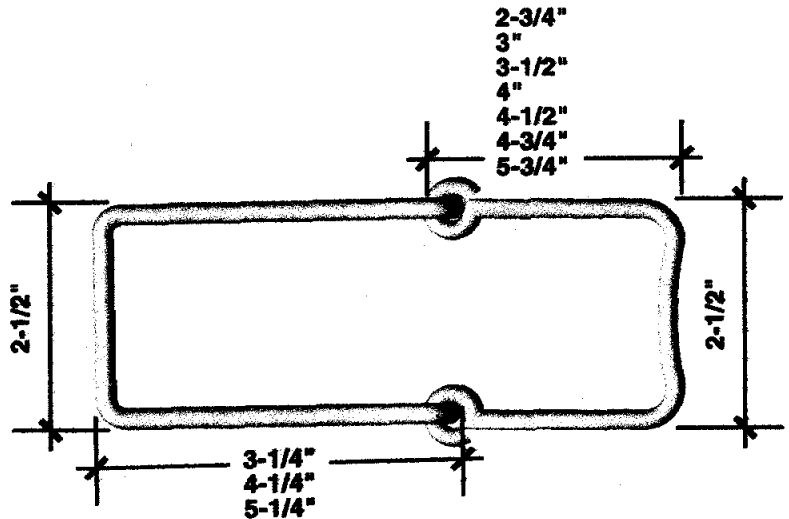
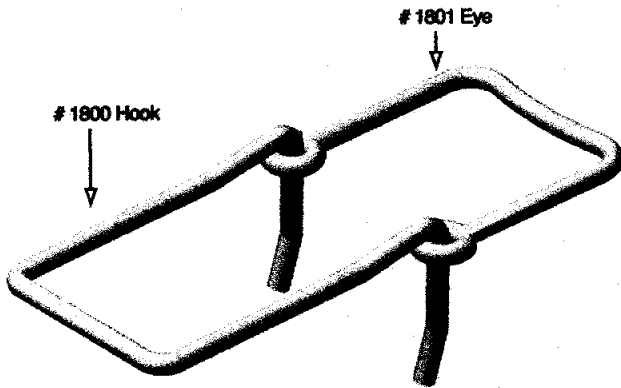


PRODUCT SUBMITTAL



1800 Hook & #1801 Eye (Adjustable Rect. Ties)



ASTM A82 / A82M - (Cold drawn steel wire)
 Tensile Strength - 80,000 psi
 Yield Point - 70,000 psi

ACI / ASCE 530 - (Building code requirements for masonry structures)

Mill Galvanized / Zinc Coating: ASTM A641 / A641M (0.10 oz per sq ft)
Hot Dip Galvanized after fabrication / Zinc Coating
ASTM A153 / A153M-82 (1.50 oz per sq ft)
Stainless Steel ASTM 560 / ASTM 580M Type 304 (Type 316 available on special order)

WIRE Recycled Content:
 Mill Galvanized & Hot Dip,
 87% Post-Consumer
 13% Post Industrial / Pre -
 Consumer

Stainless Steel,
 60% Post Consumer
 V O C Content - 0%



1800 Hook Diameter:
 3/16" Ø

1800 Hook Length:
 3-1/4" 4-1/4" 5-1/4"
 Other _____

1801 Eye Diameter:
 3/16" Ø

1801 Eye Length:
 2-3/4" 3" 3-1/2"
 4" 4-1/2"
 4-3/4" 5-3/4"

Finishes:
 Mill Galvanized Hot Dip Galvanized Stainless Steel

Corporate Office: 400 Roundtree Rd Charlotte, NC 28217
 TEL: (800) 849-8722 FAX: (704) 525-3761

Mailing Address: P.O. Box 240888 Charlotte, NC 28224



www.wirebond.com

Memphis Plant: 2365 Harbor Ave. Memphis, TN 38113
 TEL: (800) 441-8359 FAX: (901) 775-8449

Mailing Address: P.O. Box 13124 Memphis, TN 38113