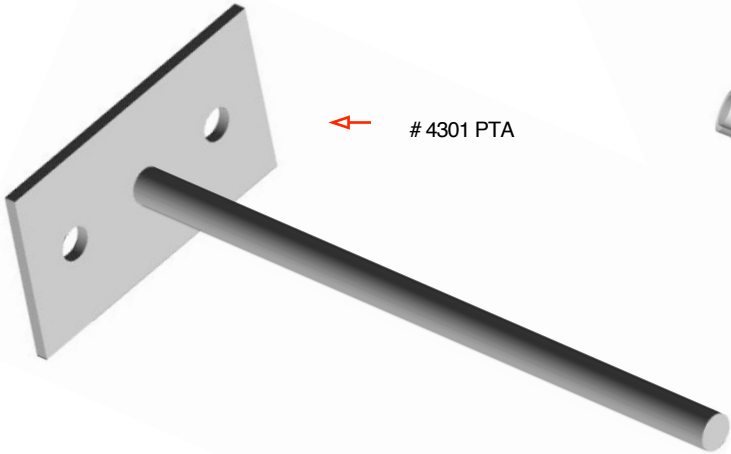
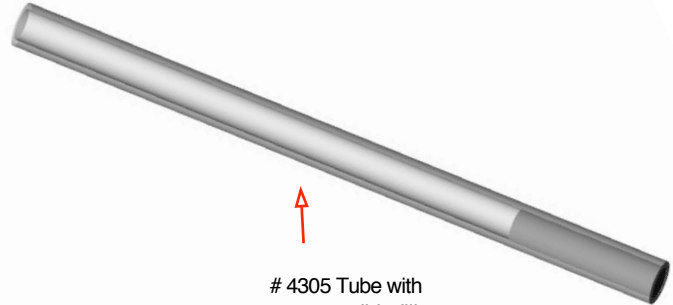


PRODUCT SUBMITTAL

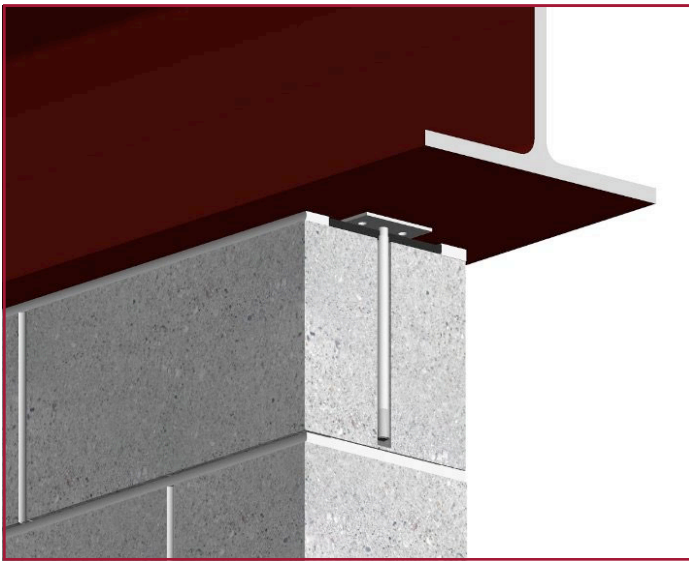
Partition Top Anchor (#4301)



← # 4301 PTA



↑
4305 Tube with
compressible filler



MATERIAL CONFORMANCE

SHEET METAL - (Carbon Steel) **ASTM A1008 / A1008M**

ROD: ASTM A82 / A82M

Mill Galvanized / Zinc Coating: **ASTM A641 / A641M (0.10 Oz per sq ft)**

Hot Dip Galvanized after fabrication / Zinc Coating
ASTM A153 / A153M-B2 (1.50 oz per sq ft)

Stainless Steel **ASTM 580 / ASTM 580M Type 304** (Type 316 available on special order)

TUBE: Clear Butyrate **ASTM D542 , D148 , D696 , D257**

SIZES / FINISHES

4301 Plate:

- 12 gauge x 2" x 3"

4301 Rod:

- 3/8" x 7"

FINISH:

- Mill Galvanized
- Hot Dip Galvanized
- Stainless Steel

Steel Products (flats):

Mill Galvanized & Hot Dip,
59.2% Post-Consumer
8.8% Post Industrial / Pre -
Consumer

ROD Recycled Content:

Mill Galvanized & Hot Dip,
87% Post-Consumer
13% Post Industrial / Pre -
Consumer

Stainless Steel, 60%Post Consumer V O C Content -0%

Corporate Office: 400 Roundtree Rd Charlotte, NC 28217
TEL: (800) 849-6722 FAX: (704) 525-3761

Mailing Address: P.O. Box 240988 Charlotte, NC 28224



www.wirebond.com

Memphis Plant: 2365 Harbor Ave. Memphis, TN 38113
TEL: (800) 441-8359 FAX: (901) 775-9449

Mailing Address: P.O. Box 13124 Memphis, TN 38113