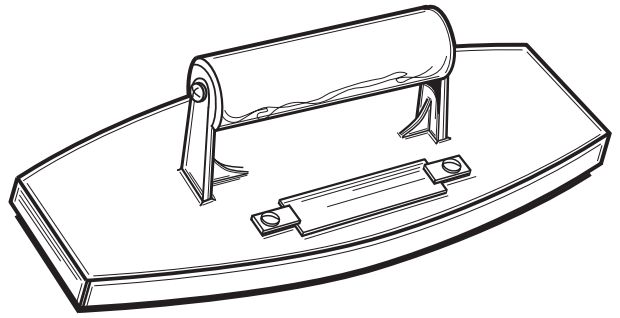


CONCRETE NAME STAMP

THE PERFECT WAY TO MARK CONCRETE FOR PERMANENT IDENTIFICATION, MADE FROM HIGH GRADE BRONZE. STAMP IS 5" X 9" OVAL WITH FLAT ENDS SHIPPING WEIGHT IS 5 LBS.



Stamp has 16 spaces per line with 3 lines available to use and will be made exactly as you print below. The 2-1/2" long date insert (year only) is optional and placed between line 2 and line 3, clipped to back of stamp for easy change. Available characters are the letters A through Z (upper case only); numbers 0 through 9; and specific symbols (comma, period, dash, slash, apostrophe, hyphen, colon, semi-colon and ampersand). Logos are not adaptable to this name stamp. Each character needs one space. Characters are 5/8 inch tall, imprinting 1/2 inch deep. Center characters per line or start flush on left side. Lines 1 and 3 are curved as shown below, with Line 2 straight. Overall stamp is 5 x 9 inch. Please fill out form below exactly to your preference, leaving a space between words or group of numbers as desired. Please use correct item number for ordering.

***PLEASE PRINT**

Qty and Item #

- _____ Name Stamp with Date Insert (CF400) with Wood Handle
- _____ Name Stamp with Date Insert (CF400PF) with ProForm® Handle
- _____ Name Stamp without Date Insert (CF400-01)
- _____ Name Stamp without Date Insert (CF400PF-01) with ProForm® Handle
- _____ Date Insert ONLY 2011 (CF401-11)
- _____ Date Insert ONLY 2012 (CF401-12)

Allow approximately 3-4 weeks delivery

Return this form to your nearest Kraft Tool distributor



Kraft Tool Co.®
 8325 Hedge Lane Terr • Shawnee, KS 66227
 Tel 913-422-4848 • Fax 913-422-1018
www.KraftTool.com