

## P R O D U C T I N F O R M A T I O N

# FlameSafe® FS 900+ Sealant

## Elastomeric firestop

### Benefits

- Underwriters Laboratories classified
- Factory Mutual approved
- Firestop systems listed for through-penetration and joint systems
- Listed in systems with up to 4 hour fire rating
- Tested to UL 1479 (ASTM E814), UL 2079 (ASTM E1966 and E1399), UL 723 (ASTM E84)
- Sound transmission tested in accordance with ASTM E90
- Water-based, easy to use and clean up
- Excellent adhesion to a variety of substrates and penetrants
- No solvents, silicones or outgassing
- Elastomeric
- Paintable
- Caulkable/trowelable or self-leveling grades

### Description

FlameSafe® FS 900+ Sealant is cost-effective, water-based and cures to form a flexible shield against the spread of fire and smoke. It is available in two grades: caulkable/ trowelable (CG) and self-leveling (SL).

FS 900+ does not contain solvents and, as a result, is not toxic and will not damage plastic pipes or cable jackets.



FlameSafe FS 900+ Sealant

### Physical Properties

Color	Red or gray
Weight	10.75 lbs/gal (1.3 kg/L)
Storage and installation temperatures	40°F to 90°F (4°C to 32°C)
Flame spread (UL 723/ASTM E84)	0
Smoke developed (UL 723/ASTM E84)	0

FS 900+ can be used in various penetrations and construction/architectural joint configurations. Examples of listed systems include metallic and non-metallic pipes, cable and HVAC penetrations, concrete floor-to-floor, floor-to-wall and wall-to-

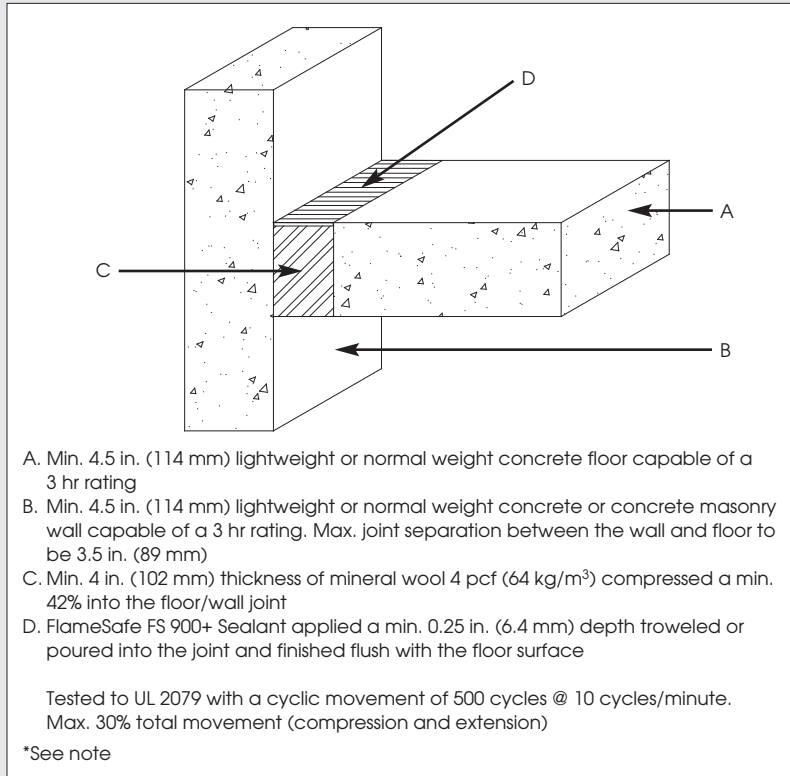
wall applications, as well as for concrete, CMU and gypsum head of wall applications requiring dynamic joint movement. FS 900+ is a versatile, yet economical solution for a wide range of through-penetration and joint construction conditions.

## Application Guide

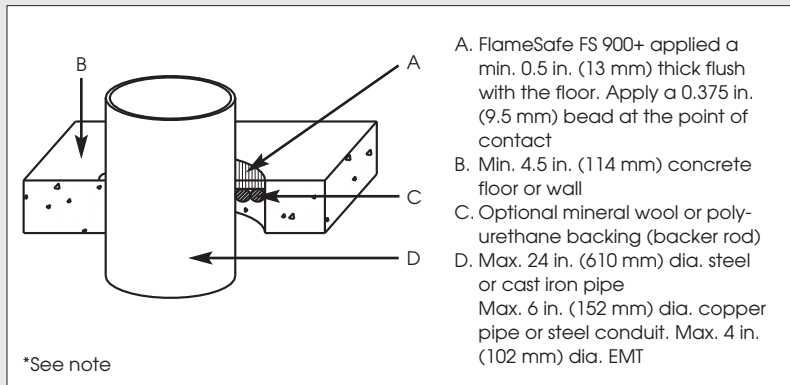
Penetrations	
Metallic	X
Non-metallic	X
Cables	X
Cable trays	
Insulated	X
Misc. electrical	X
HVAC	X
Mixed	X
Joints	X
<b>Perimeter Barrier (Curtain Wall)</b>	

### Applicable Standards

FlameSafe FS 900+ is listed by Underwriters Laboratories Inc. and by Underwriters' Laboratories of Canada for 1, 2, 3 and 4 hour rated systems, in accordance with ASTM E814 (UL 1479/CAN 4-2115M), "Fire Tests of Through-Penetration Firestops" and UL 2079, "Standard for Fire Tests of Joint Systems." FS 900+ is Factory Mutual approved and approved by the City of New York (MEA 41-00-M, Vol. II).



Concrete Floor to Wall Joint – 3 Hour (UL FW-D-1024)



Metallic Pipe Through Concrete Floor or Wall – 3 Hour (UL C-AJ-1235)

\*Refer to UL designs for full system description.

### Availability

FlameSafe FS 900+ Sealant is available through authorized Grace Construction Products distributors in the following quantities:

Description	Part No.	Volume	Std. Pk.
<b>Caulk Tubes</b>			
Caulk Tube 10.3 oz (305 mL)	26864 (Red)	19 in. <sup>3</sup> (312 cm <sup>3</sup> )	12
Caulk Tube** 31 oz (0.92 L)	26865 57577 (Red) (Gray)	57 in. <sup>3</sup> (934 cm <sup>3</sup> )	6
Sausage Pack 20.2 oz (0.62 L)	32274 57579 (Red) (Gray)	37 in. <sup>3</sup> (606 cm <sup>3</sup> )	12
<b>Poly Pails</b>			
Caulkable/Trowelable 5 gal (19.0 L)	26869 57578 (Red) (Gray)	1,155 in. <sup>3</sup> (18,942 cm <sup>3</sup> )	1
Self-leveling 5 gal (19.0 L)	26867 (Red)	1,155 in. <sup>3</sup> (18,942 cm <sup>3</sup> )	1

\*\* For use with powered caulk gun only. Call Grace Construction Products for tool recommendation.

### Installation

All contact surfaces must be free of loose dirt, scale, oil or other foreign material. Installation of material may vary according to the size of the opening being protected and the type of penetrant. Installation temperature should be between 40°F to 90°F (4°C to 32°C). Material may be installed using a standard caulk gun or troweled into place using a mason's trowel or putty knife. The self-leveling grade can be poured into the opening, then troweled to a smooth finish. FlameSafe FS 900+ dries quickly and in such a way that it can be painted and finished like the surrounding wall or floor.

### Maintenance

Applications using FlameSafe FS 900+ are maintenance free, however, installations should be inspected periodically for accidental damage and repaired as per the original approved design.

### Warranty

All statements, technical information and recommendations contained herein are based on tests we believe to be reliable. However, since the conditions of use and application are beyond our control, Grace Construction Products shall not be liable for any damage, direct or consequential, resulting from the use of this material or design. Grace Construction Products' only warranty shall be to replace any of its products found to be defective.



### Technical Support

Grace Construction Products provides technical support for all of its products, including FlameSafe FS 900+ Sealant. Call toll free at 866-333-3SBM (3726) for assistance in product selection and for detailed specifications and approvals. We provide engineering analysis for unique firestopping applications, including system design drawings suitable for submittals. Material Safety Data Sheets are also available. More information is available on our web site at [www.graceconstruction.com](http://www.graceconstruction.com).



## Product Estimating Guide for Through-Penetrations

(Volume in cubic inches assuming 0.5 inch required depth)

PIPE	SIZE	Size of Round Opening (Inches)																				
		1	2	3	4	5	6.5	7	8	9	10	11	12	13	14	15	16	17	18	19	20	
Pipe O.D.	Trade Size																					
0.54	¼	0.3	1.5	3.4	6.2																	
0.68	⅜	0.2	1.4	3.6	6.1																	
0.84	½	0.1	1.3	3.3	6.0																	
1.05	¾		1.1	3.1	5.8																	
1.32	1		0.9	2.8	5.6	9.1																
1.66	1¼		0.5	2.5	5.2	8.7																
1.90	1½		0.2	2.1	4.9	8.4																
2.38	2			1.3	4.1	7.6	11.9															
2.88	2½			0.3	3.0	6.6	10.9															
3.50	3				1.5	5.0	9.3	14.4	20.3	27.0												
4.00	3½					3.5	7.9	13.0	18.8	25.5												
4.50	4					1.9	6.2	11.3	17.2	23.9	31.3	39.6	48.6									
5.56	5						2.0	7.1	13.0	19.7	27.1	35.6	44.4									
6.63	6							2.0	7.9	14.5	22.0	30.2	39.3	49.1	59.7	71.1						
8.63	8									2.6	10.0	18.3	27.3	37.1	47.7	59.1						
10.75	10											2.1	11.2	21.0	31.6	43.0	51.1	68.1	81.8			
12.75	12													2.5	13.1	24.5	36.7	49.6	63.4			
14.00	14															11.4	23.5	36.5	50.2	64.8	80.1	
16.00	16																		12.9	26.7	41.2	56.5
18.00	18																				14.5	29.8



For technical assistance call toll free at 866-333-35BM (3726).

Visit us at [www.graceconstruction.com](http://www.graceconstruction.com)

W. R. Grace & Co.-Conn. 62 Whittemore Avenue Cambridge, MA 02140

FlameSafe, Monokote and MK-6 are registered trademarks of W. R. Grace & Co.-Conn.

We hope the information here will be helpful. It is based on data and knowledge considered to be true and accurate and is offered for the users' consideration, investigation and verification, but we do not warrant the results to be obtained. Please read all statements, recommendations or suggestions in conjunction with our conditions of sale, which apply to all goods supplied by us. No statement, recommendation or suggestion is intended for any use which would infringe any patent or copyright. W. R. Grace & Co.-Conn., 62 Whittemore Avenue, Cambridge, MA 02140. In Canada, Grace Canada, Inc., 294 Clements Road, West, Ajax, Ontario, Canada L1S 3C6.

These products may be covered by patents or patents pending.

Copyright 2006. W. R. Grace & Co.-Conn.

FS-140D

Printed in USA

8/06

FA/LI/2.5M

