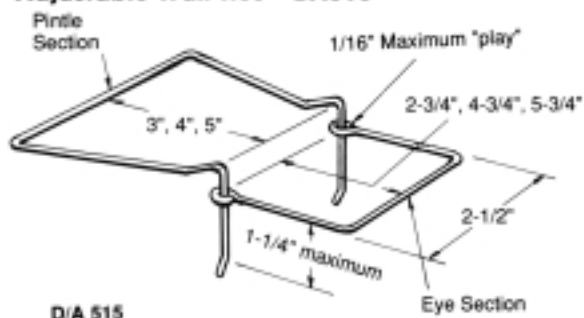


Ties / Anchors

Product Information/
Submittal Sheet

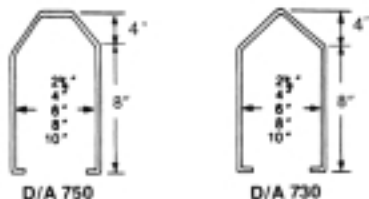
DUR-O-WAL® Ties/Anchors

Adjustable Wall Ties DA518*



D/A 515

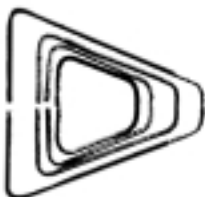
Trapezoid Ties



D/A 750

D/A 730

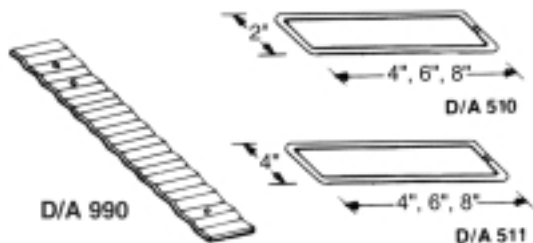
Triangle Ties



D/A 700-708

Size: 3" wide x 3" long
4" wide x 4" long
5" wide x 5" long
6" wide x 6" long
7" wide x 7" long
7" wide x 9" long

Corrugated Wall Ties

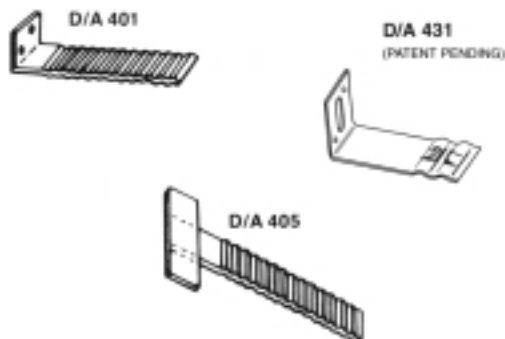


D/A 990

D/A 510

D/A 511

DA431 /Seismic Anchor and Buck and Frame Anchors



Material Specifications

Carbon Steel Wire	ASTM A82
Stainless Steel Wire	ASTM A580 Type 304
Carbon Steel Sheet	ASTM A366 A1008 or A109
Stainless Steel Sheet	ASTM A167 Type 304

Material Sizes

Wire	3/16" \pm w2.8
DA990	16,22,26* ga
Buck & Frame and DA431	12,14,16 ga (DA431 14 & 12)

* NOT RECOMMENDED BY ACI530

Finish (Galvanized)

Mill Galvanized Wire	ASTM A641 0.10 oz./sq. ft.
Mill Galvanized Sheet	ASTM A525G60
Hot Dipped	ASTM A153 1.50 oz./sq. ft.



Customer Service

Aurora, IL (800) 323-0090 • Folcroft, PA (800) 368-2035 • Birmingham, AL (800) 821-9296 • Phoenix, AZ (800) 235-0024

Technical Service

www.dur-o-wal.com • Email: info@dur-o-wal.com • Fax-On-Demand: (800) 254-8958

* DA515 Adjustable Ties are made up using a DA 518 Eye and a DA213 Pintle

Approval



Sales and Services Centers

625 Crane Street
Aurora, IL 60505
(800) 323-0090
Fax: (630) 898-1378

3 Horne Drive
Folcroft, PA 19032
(800) 368-2035
Fax: (610) 534-7206

1401 Meadowcraft Road
Birmingham, AL 35215
(800) 821-9296
Fax: (205) 856-0965

4810 South 40th Street, Suite 3
Phoenix, Arizona 85040
(800) 235-0024
Fax: 602-431-9667