



Heckmann Building Products Inc.

1501 N. 31st Avenue
Melrose Park, IL 60160-2911
800-621-4140 or 708-865-2403 Fax: 708-865-2640
www.heckmannanchors.com

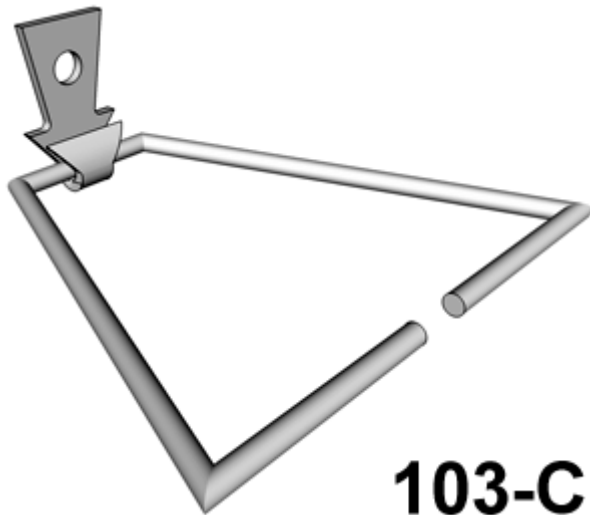
SUBMITTAL SHEET:

#103-C DOVETAIL TRIANGULAR VENEER ANCHOR

Used for attaching brick veneer to an existing wall with a mechanical fastener.

Standard Sizes: 12 gage x 1" wide clip with a 5/16" diameter hole factory-assembled to a 3/16" diameter wire triangle tie in the following lengths: 3", 4", 5", 7", 9", & 11".

Available in Mill Galvanized, Hotdip Galvanized After Fabrication, and Stainless Steel.



Stainless Steel:

Sheet metal anchors and ties: ASTM A 167 AISI Type 304.

Plate and bent bar anchors: ASTM A 666 AISI Type 304.

Wire ties and anchors: ASTM A 580 AISI Type 304.

Hotdip Galvanized:

ASTM A 153 Class B-2: (1.50 oz/ft²)(0.46kg/m²)

Mill Galvanized:

Sheet metal anchors and ties: ASTM A 653 G60

Wire: ASTM A 641 (0.1 oz/ft²)

Plain Steel:

Sheet Metal anchors and ties: ASTM A 569, ASTM A 366.

Plates, bars, and shapes: ASTM A 123, ASTM A 36.

Wire: ASTM A 82, ASTM A 82-95a.

Approvals:

Comments: