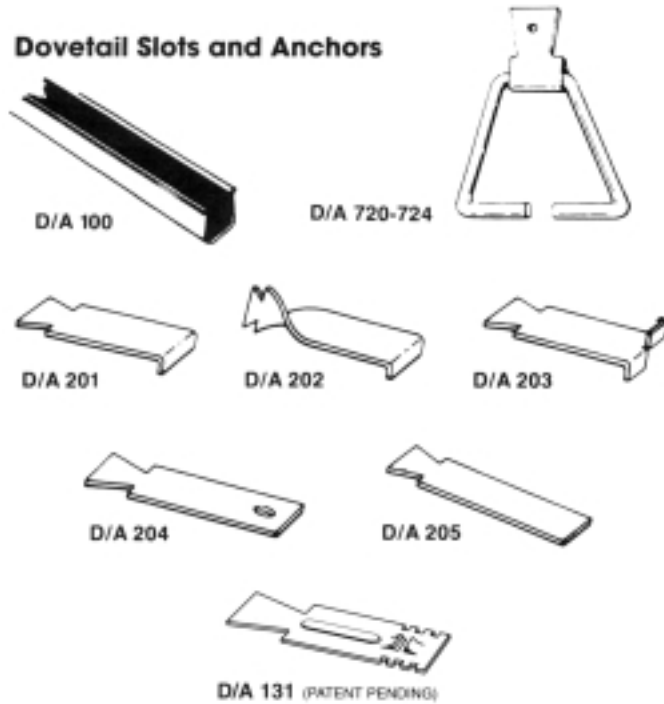


# Standard Anchors

Product Information/  
Submittal Sheet

## DUR-O-WAL® Standard Anchors

### Dovetail Slots and Anchors



Slot Material: 24, 22, 20 gage  
Length: 10'-0"  
Slot: Mill Galvanized or Stainless Steel

#### Anchor Material Specifications

Carbon Steel Wire	ASTM A82
Stainless Steel Wire	ASTM A580 Type 304
Carbon Steel Sheet	ASTM A1008 or A109
Stainless Steel Sheet	ASTM A167 Type 304

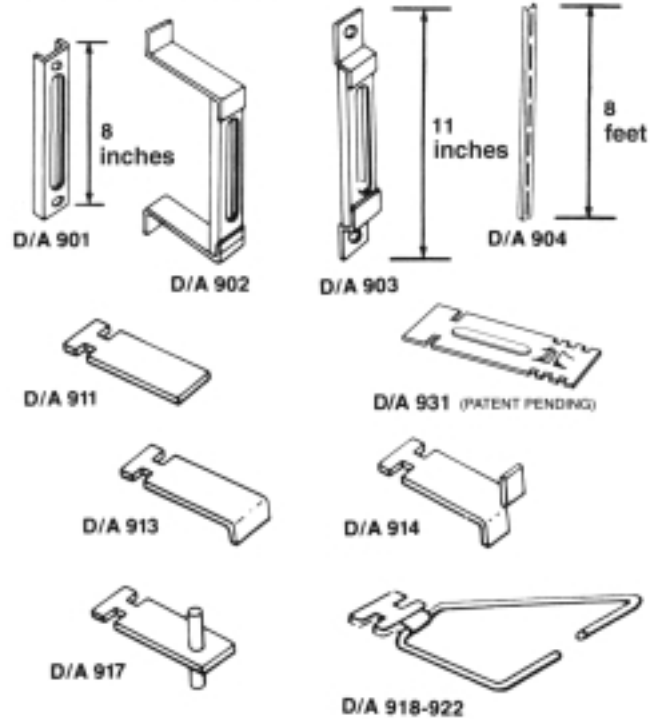
#### Anchor Material Thickness

Clip for Tri-Tie	12 ga
Sheet Metal Anchors	16, 14, 12 ga, 1/8", 3/16"
Wire Tie	3/16" $\pm$ w2.8

#### Anchor Finish Galvanized

Mill Galvanized:	ASTM A641 0.10 oz./sq. ft.
Hot Dipped:	ASTM A153 1.50 oz./sq. ft.

### Channel Slots and Anchors



Slot Material: 16, 11 ga.  
Slot: Mill Galvanized, Hot Dip Galvanized and  
Stainless Steel

#### Anchor Material Specifications

Carbon Steel Sheet	ASTM A1008 or A109
Carbon Steel Wire	ASTM A82
Stainless Steel Sheet	ASTM 167 Type 304
Stainless Steel Wire	ASTM A580 Type 304

#### Anchor Material Thickness

Clip for Tri-Tie	12 ga
Wire Tie	3/16" $\pm$ w2.8
Sheet Metal Anchors	16, 14, 12 ga, 1/8", 3/16"

#### Anchor Finish Galvanized

Mill Galvanized:	ASTM A641 0.10 oz./sq. ft.
Hot Dipped:	ASTM A153 1.50 oz./sq. ft.



#### Customer Service

Aurora, IL (800) 323-0090 • Folcroft, PA (800) 368-2035 • Birmingham, AL (800) 821-9296 • Phoenix, AZ (800) 235-0024

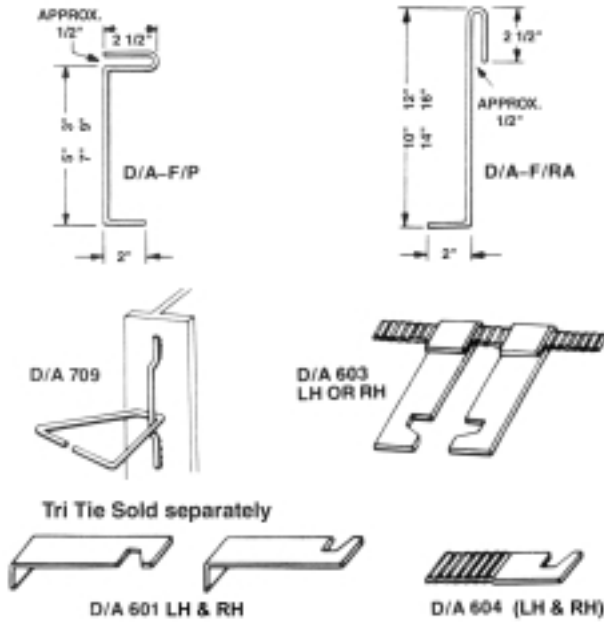
#### Technical Service

www.dur-o-wal.com • Email: info@dur-o-wal.com • Fax-On-Demand: (800) 254-8958

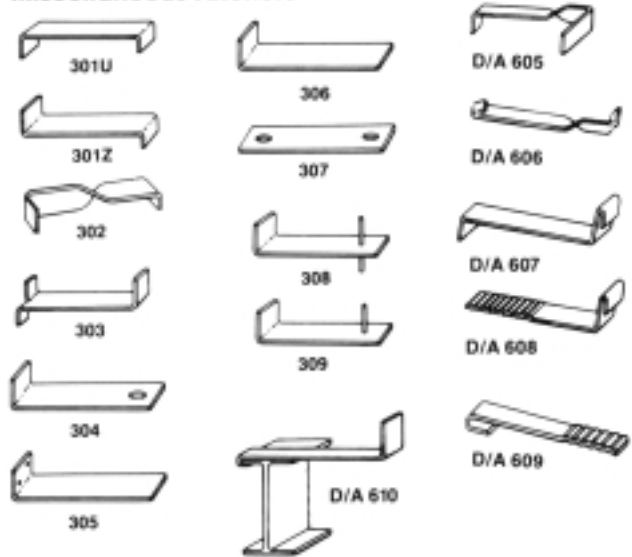
# DUR-O-WAL® Standard Anchors

## Standard Anchors

### Column Anchors



## Miscellaneous Anchors



### Anchor Material Specifications

Carbon Steel	ASTM A1008 or A109
Stainless Steel	ASTM A167 Type 304

### Anchor Material Thickness

Bent Plates	1/8", 3/16", 1/4"
Corrugated Plates	16 ga.

### Anchor Finish (Galvanized)

Mill Galvanized:	ASTM A525 Class G60
Hot Dipped:	ASTM A153 1.50 oz./sq. ft.

### Anchor Material Specifications

Carbon Steel Wire	ASTM A82
Stainless Steel Wire	ASTM A580 Type 304
Carbon Steel Sheet	ASTM A1008 or A109
Stainless Steel Sheet	ASTM A167 Type 304

### Anchor Material Thickness

Wire Tri-Tie	3/16" ± w2.8
Sheet Metal	1/8"
Weld-on	5/16" ±

### Anchor Finish Galvanized

Mill Galvanized Wire:	ASTM A641 0.10 oz./sq. ft.
Hot Dipped:	ASTM A153 1.50 oz./sq. ft.
Mill Galvanized Steel:	ASTM A525 Class G60

### Warning

The information contained in this publication does not constitute any professional opinion or judgement and should not be used as a substitute for competent professional determinations. Each construction project is unique and the appropriate use of this product is the responsibility of the engineers, architects and other professionals who are familiar with the specific requirements of the project.

### Warranty

Seller makes no warranty of any kind, express or implied, except that the goods sold under this agreement shall be of the standard quality of seller, and buyer assumes all risk and liability resulting from the use of the goods, whether used singly or in combination with other goods. Seller neither assumes nor authorizes any person to assume for seller any other liability in connection with the sale or use of the goods sold, and there is no oral agreement or warranty collateral to or affecting this transaction.

Approval



### Sales and Services Centers

625 Crane Street Aurora, IL 60505 (800) 323-0090 Fax: (630) 898-1378	3 Horne Drive Folcroft, PA 19032 (800) 368-2035 Fax: (610) 534-7206	1401 Meadowcraft Road Birmingham, AL 35215 (800) 821-9296 Fax: (205) 856-0965	4810 South 40th Street, Suite 3 Phoenix, Arizona 85040 (800) 235-0024 Fax: 602-431-9667
---	--	--	--