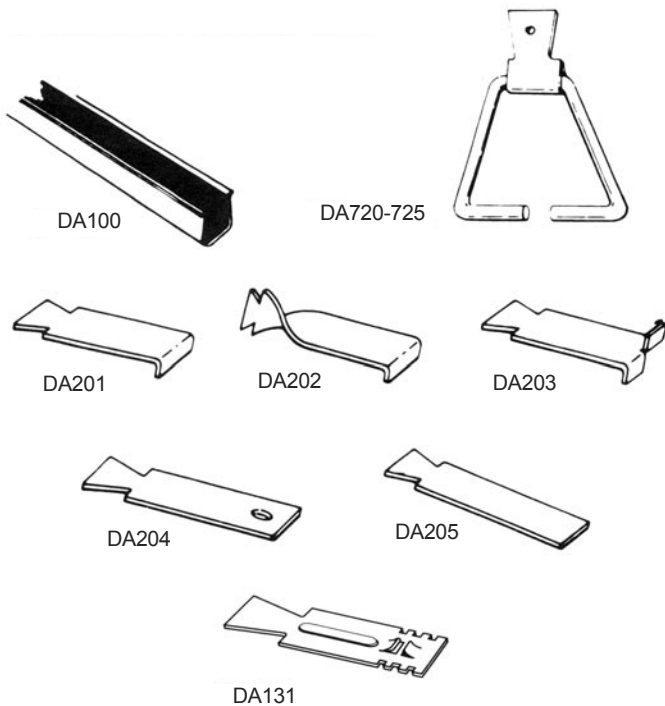


Channel Anchor Slots

Dovetail Anchor Slots & Ties

Function: Dovetail Anchor Slot is designed to anchor masonry to new concrete with the slot embedded in concrete. This slot is compatible with all DA100 and DA720 Series Dovetail Anchors, Dovetail Triangular Ties Anchors, and DA200 Series Stone Anchors.

Dimensions: 26 gage (48mm), 24 gage (0.61mm), 22 gage (0.76mm) or 20 gage (0.89mm) x 10 feet (3050mm) length. Opening is 1 inch x 1 inch x 5/8 inch (25mm x 25mm x 16mm) and is foam filled to protect slot during concrete forming and placement.

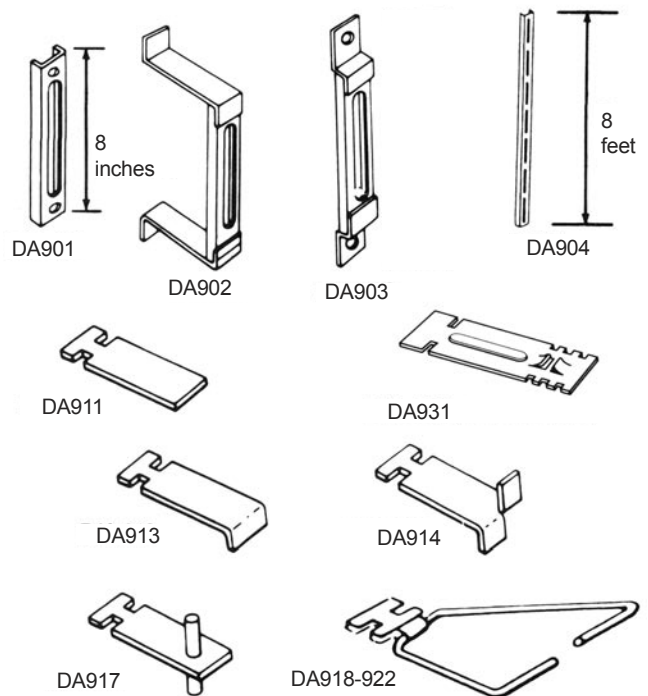


Channel Anchor Slots & Ties

Function: Channel Anchor Slot is designed to anchor masonry to concrete, CMU, brick or steel columns in combination with DA900 Series Channel Anchors.

Dimensions: 16 gage (1.5mm) or 11 gage (3mm) x 8 inch (200mm) length x 1-3/4 inch (43mm) width. Slot measures 9/16 inch wide x 5-1/2 inches (14mm x 151mm) long. Slot has two 5/16 inch (8mm) holes above and below slot.

Notes: Use of power-driven fasteners for concrete, block or brick is not recommended • Not recommended for sheathing over wood or metal stud



Slot Material Specifications

Dovetail Anchor Slot	26, 24, 22 and 20 gages
Length:	10 feet - Foam Filled
Finish:	Mill Galvanized or Stainless

Anchor Material Thickness

Clip for DA720-725	12 gage
Sheet Metal Anchors	16, 14 and 12 gage, 1/8", 3/16", 1/4"
Wire Tri Tie	3/16" diameter

Slot Material Specifications

DA901, DA902, DA903 or DA904	16 and 11 gages
Length:	DA901 - 8 inches DA904 - 8 feet
Finish:	Mill Galvanized, Hot Dip Galvanized or Stainless

Anchor Material Thickness

Clip for DA918-922	12 gage
Sheet Metal Anchors	16, 14, and 12 gage, 1/8", 3/16", 1/4"
Wire Tri Tie	3/16" diameter

Material Specifications and Finish

Material	Specification	Finish
Carbon Steel Sheet Metal	ASTM A1008, ASTM A109 or ASTM A1011	Mill Galvanized ASTM A653 Hot Dip Galv. ASTM A153, Class B2
Stainless Steel Sheet Metal	ASTM A167 Type 304	N/A
Carbon Steel Wire	ASTM A82	Mill Galvanized ASTM A641 Hot Dip Galv. ASTM A153, Class B2
Stainless Steel Wire	ASTM A580 Type 304	N/A

Warranty

Seller makes no warranty of any kind, express or implied, except that the goods sold under this agreement shall be of the standard quality of seller, and buyer assumes all risk and liability resulting from the use of the goods, whether used singly or in combination with other goods. Seller neither assumes nor authorizes any person to assume for seller any other liability in connection with the sale or use of the goods sold, and there is no oral agreement or warranty collateral to or affecting this transaction.