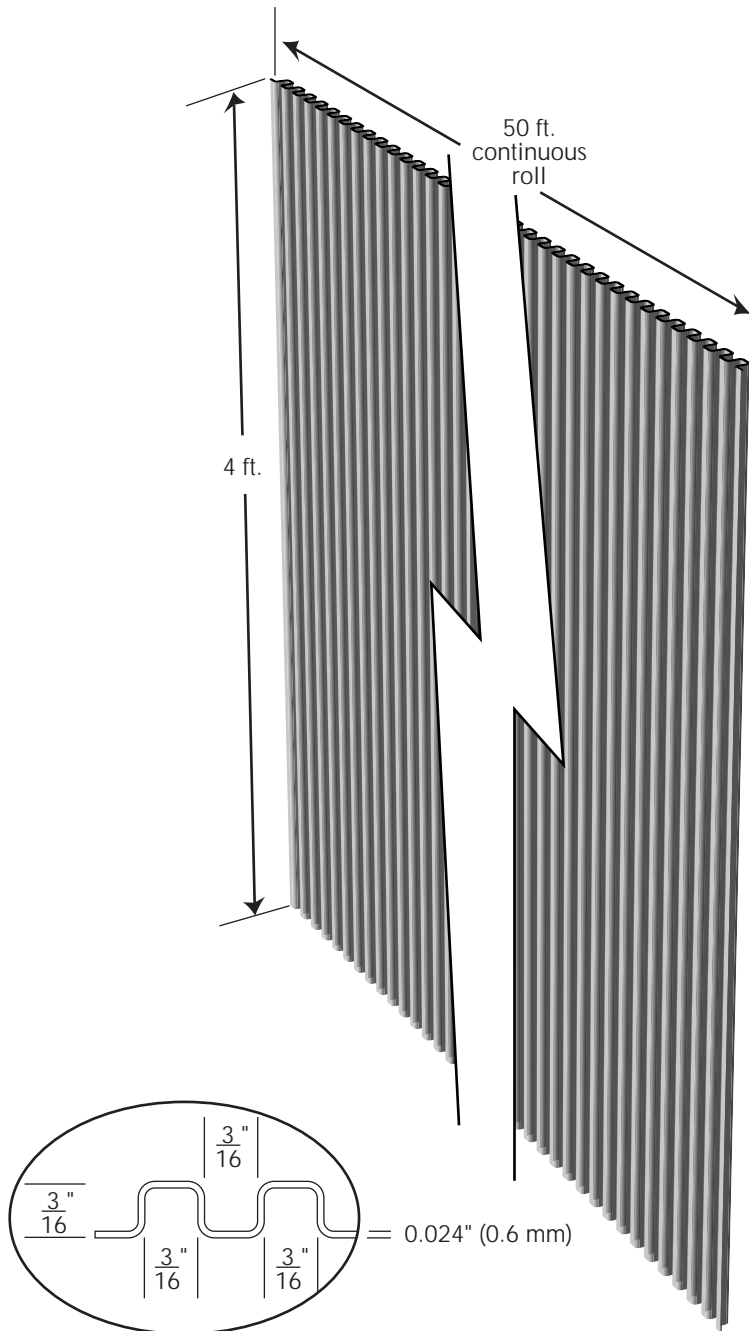


Specifications

Control Cavity™ (CC 4800)

For Below Grade CMU Walls



MTI Control Cavity™* (CC 4800):

0.024" (0.6 mm) thick by 4' 0" (1219 mm) wide high-impact polystyrene sheets formed with $\frac{3}{16}$ " (4.8 mm) deep corrugations

MTI Control Cavity™ Installation:

1. Install Control Cavity with channel pattern running up & down (vertically).
2. Overlap all edges and ends a minimum of 1".
3. Overlap horizontal edges shingle fashion to outside of concrete, masonry substrate.
4. Cover entire wall surface, top to bottom, in this fashion.
5. Mechanically fasten Control Cavity with concrete nails or similar power fastener.
6. Fastening pattern to be 2' on center, fastening row pattern to be staggered.

PACKAGING INFORMATION

Control Cavity™ (part number CC 4800)

Roll Contains

1 Roll of Control Cavity = 50' x 4' Wide

Box Contains

1 Roll/box/200 sq. ft.

Pallet Contains

16 Rolls/pallet/3200 sq. ft.

CC4800a 07.08.03