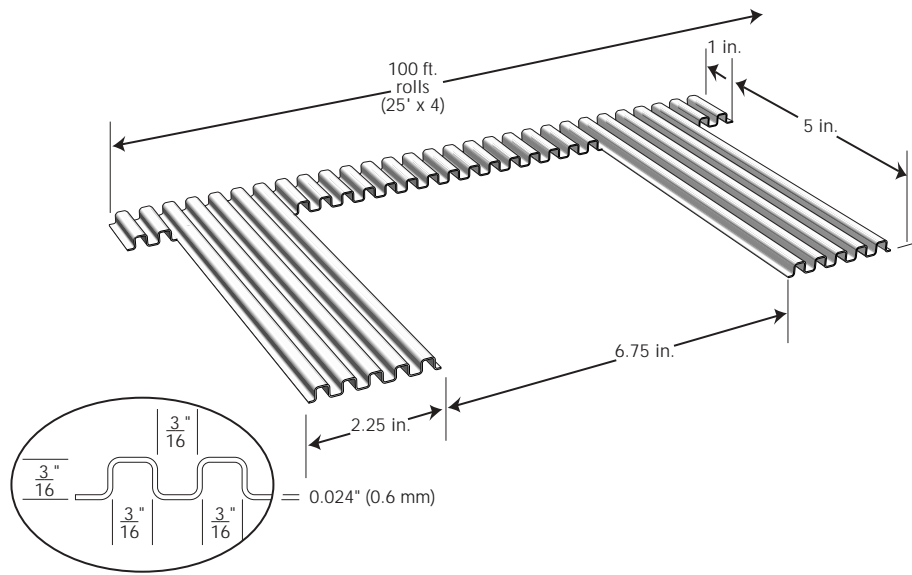


Specifications

Cavity Weep™ (CV 5010) Cavities with 1 1/2"-3" Air Space



MTI Cavity Weep™ (CV 5010):

0.024 " (0.6 mm) thick high-impact polystyrene, formed and die cut 2-1/4" (57 mm) wide weep legs at 9-1/2" (241 mm) on center; continuous belt 1" (25.4 mm) wide; and total width of 6" (152 mm).

MTI Cavity Weep™ Installation:

1. Place Cavity Weep on flashing with continuous belt centered in cavity and legs extending out from face of wall about 1" to 1.5".
2. Place bed joint of mortar on Cavity Weep and lay masonry units.
3. Tool joints and lightly score legs at face of wall and crack off by pushing downward.
4. Finish tool joint and brush.

PACKAGING INFORMATION

Cavity Weep™ (part number CV 5010)

Roll Contains

1 Roll of Cavity Weep = 100' (25' x 4)

Box Contains

6 Rolls/box/600 ft.

Pallet Contains

16 Boxes/pallet/9600 ft.

CV5010a 07.08.03