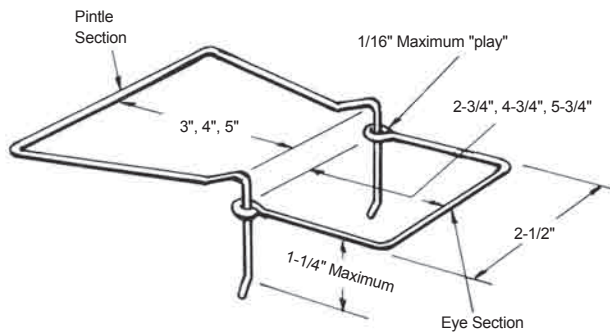


Ties and Anchors

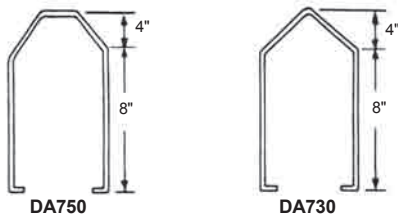
DA518 (Formerly known as DA515) Adjustable Wall Ties

This is a two piece adjustable cavity wall tie designed to tie multiwythe masonry walls. It is a combination of a DA518 Rectangular Eye and a DA213 Wire Pintle.



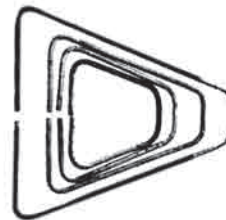
DA730 and DA750 Trapezoid Ties

Also known as web ties, these are one piece of a two-piece adjustable anchor system. The system is designed to anchor masonry to a structure from the end of the CMU unit. The width is the actual width of the block with which it will be used. The DA730 is used with the DA709 Column Anchor Weld on and the DA750 is used with the DA207 MSSA Anchor Strap and DA210 Anchor Plate. See "Veneer Anchoring System" Product Information Sheet.



DA700 Series Triangular Ties

Tri Ties are one piece of a two-piece adjustable anchor system. The system is designed to anchor masonry to a structure. Tri Ties are used with the DA207 MSSA Anchor Strap, DA210 Anchor Plate and DA709 Column Anchor Weld-on. See "Veneer Anchoring System" Product Information Sheet.



Size:
 3" wide x 3" long
 4" wide x 4" long
 5" wide x 5" long
 6" wide x 6" long
 7" wide x 7" long
 7" wide x 9" long

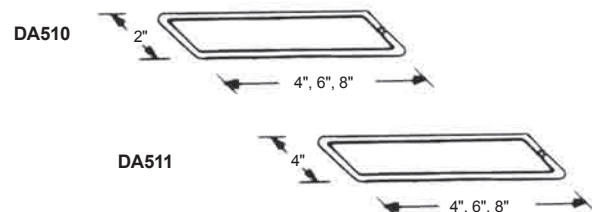
DA990 Corrugated Wall Ties

These are designed to anchor masonry to a structure or to tie multiwythe walls. This type has been out in the industry for many years but it is not generally recommended. Standard sizes are 7/8" wide by 7" long.



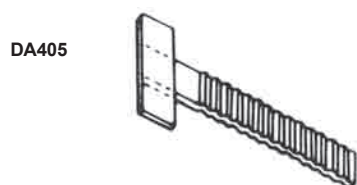
DA510 and DA511 Rectangular Cavity Wall Ties

These are designed to tie multiwythe masonry walls but provide no adjustability between wythes.



DA400 Series Buck and Frame Anchors

These have multiple uses besides being buck and frame anchors for masonry. DA431 is a stocked anchor. See "Veneer Anchor Systems" Product Information Sheet.



Material Specifications and Finish

Material	Specifications	Finish
Carbon Sheet Steel	ASTM A1008, ASTM A109 or	Mill Galvanized ASTM A653
	ASTM A1011	Hot Dipped Galvanized
		ASTM A153, Class B-2
Stainless Steel Sheet	ASTM A167 Type 304	N/A
Carbon Steel Wire	ASTM A82	Mill Galvanized ASTM A641
		Hot Dipped Galvanized
		ASTM A153, Class B-2
Stainless Steel Wire	ASTM A580 Type 304	N/A

Material Sizes	
Wire Ties and Anchors	3/16" Diameter
Corrugated Wall Sizes	26*, 22, and 16 gages
	*Not Recommended by ASI530
DA431 and Buck and Frame	14 and 12 gages

J10.20 10/05