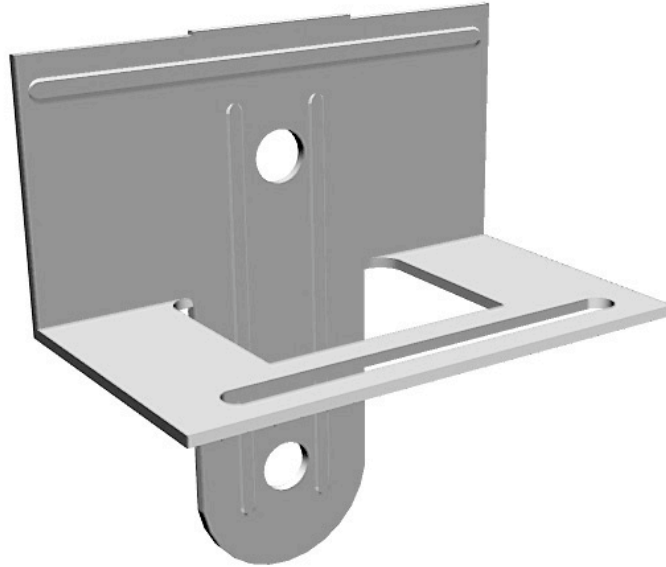




RJ721 Veneer Anchor



SHEET METAL (Carbon Steel)

ASTM A 1008 / A1008M

Zinc Coating:

ASTM A 153 Class B (sheet metal ties and anchors hot dip galvanized after fabrication.)

SHEET METAL (Stainless Steel)

ASTM A 167 - AISI TYPE 304 Stainless Steel

(sheet metal ties and anchors.)

(Type 316 available on special order.)

Plate Thickness:

- 14 Gauge
- 12 Gauge

Finish:

- Hot Dip Galvanized
- Stainless Steel

**Steel Products (flats)
Mill Galvanized & Hot Dip ,
68 % Post Consumer
Stainless Steel ,
60 % Post Consumer
V O C Content - 0 %**



Corporate Office

400 Roundtree Road
PO Box 240988
Charlotte, NC 28224
704 525.5554
800 849.6722
Fax: 704 525.3761



www.wirebond.com

Memphis Plant

2365 Harbor Avenue
PO Box 13124
Memphis, TN 38113
901 775.9444
800 441.8358
Fax: 901 775.9449