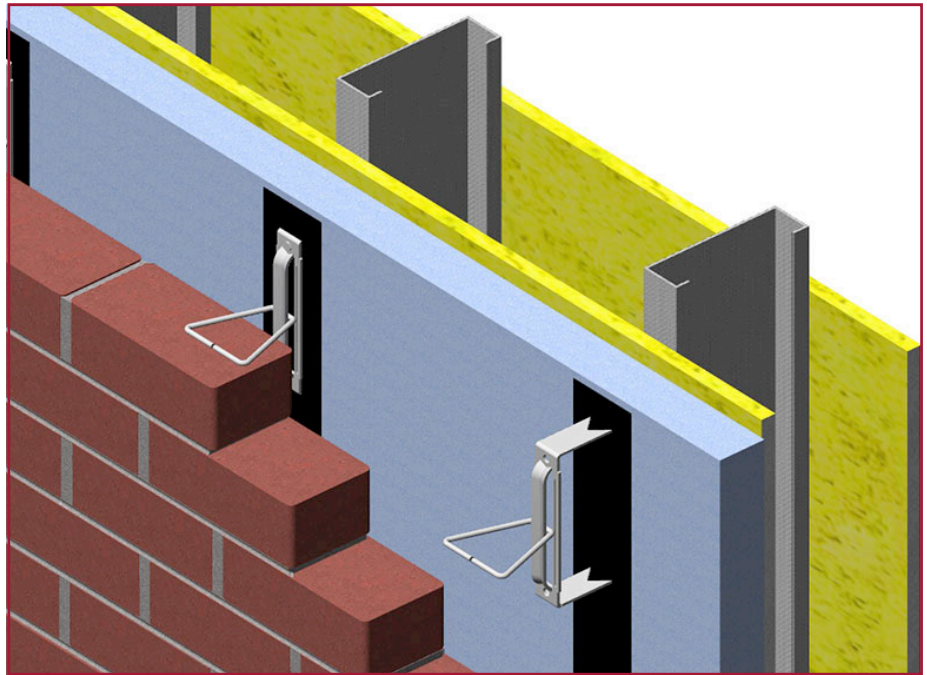
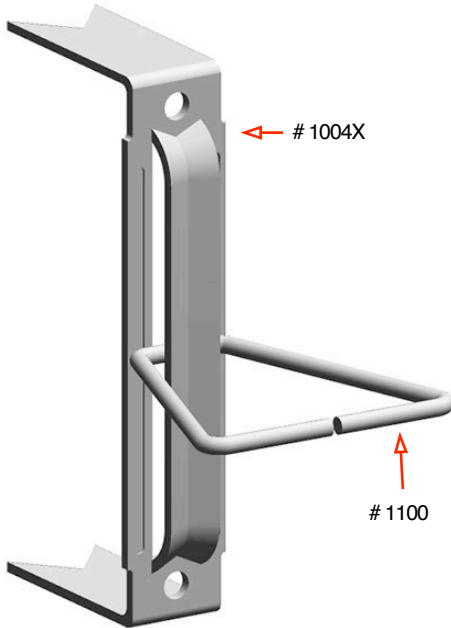


PRODUCT SUBMITTAL



1004X Type III X Screw On Veneer Anchor



MATERIAL CONFORMANCE

SHEET METAL - (Carbon Steel) ASTM A1008 / A1008M

Mill Galvanized / Zinc Coating: **ASTM A641 / A641M (0.10 oz per sq ft)**

Hot Dip Galvanized after fabrication / Zinc Coating
ASTM A153 / A153M-B2 (1.50 oz per sq ft)

Stainless Steel **ASTM 580 / ASTM 580M Type 304** (Type 316 available on special order)

ASTM A82 / A82M - (Cold drawn steel wire)
Tensile Strength - 80,000 psi
Yield Point - 70,000 psi

ACI / ASCE 530 - (Building code requirements for masonry structures)

Steel Products (flats):
Mill Galvanized & Hot Dip,
59.2% Post-Consumer
8.8% Post Industrial / Pre -
Consumer

Stainless Steel,
60% Post Consumer
V O C Content - 0%

WIRE Recycled Content:
Mill Galvanized & Hot Dip,
85% Post-Consumer
13% Post Industrial / Pre -
Consumer

Stainless Steel,
60% Post Consumer
V O C Content - 0%

SIZES / FINISHES

1004 Type III X: 1-1/4" wide x 6" long

14 gauge 12 gauge

(Prong length to accommodate insulation)

INSULATION:

1" 1- 1/2" 2" 2- 1/2" 3"

1100 Triangle:

3/16"Ø 1/4"Ø

3"x3" 4"x4" 5"x5" 6"x6" 7"x9" 9" x 9"

FINISH:

Mill Galvanized
 Hot Dip Galvanized
 Stainless Steel



Corporate Office: 400 Roundtree Rd Charlotte, NC 28217
TEL: (800) 849-6722 FAX: (704) 525-3761

Mailing Address: P.O. Box 240988 Charlotte, NC 28224



www.wirebond.com

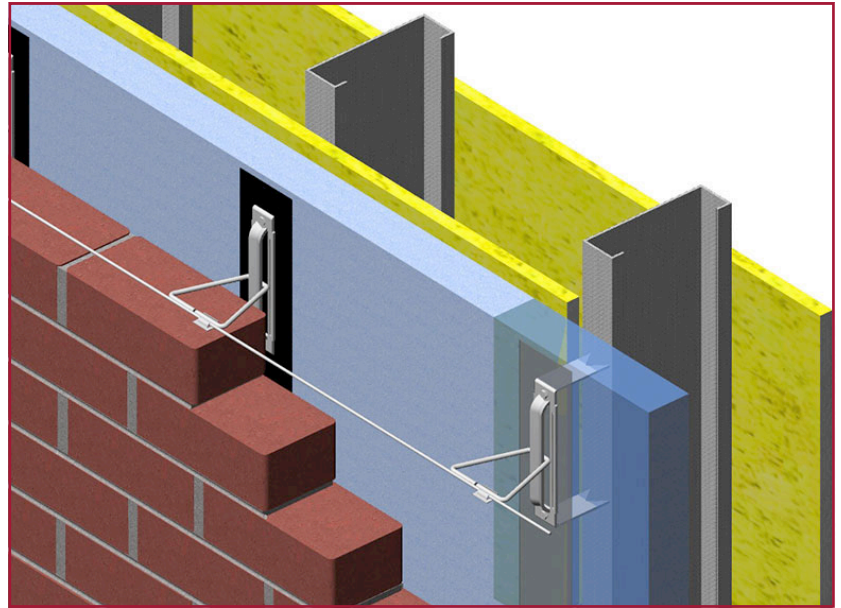
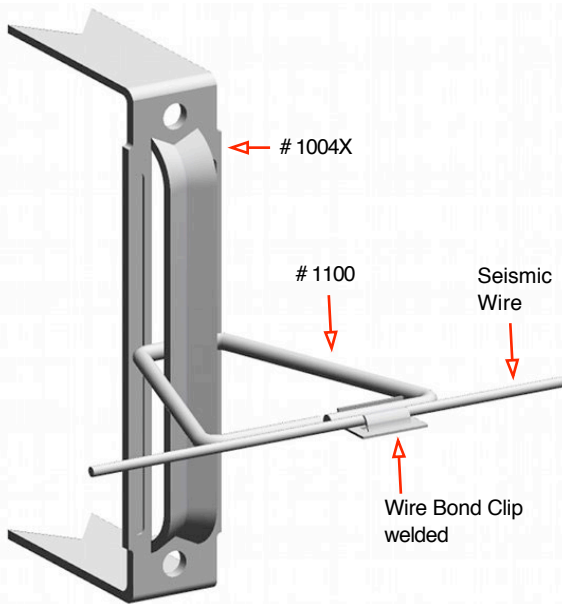
Memphis Plant: 2365 Harbor Ave. Memphis, TN 38113
TEL: (800) 441-8359 FAX: (901) 775-9449


Mailing Address: P.O. Box 13124 Memphis, TN 38113

PRODUCT SUBMITTAL



1004X Type III X Screw On Veneer Anchor Seismic



MATERIAL CONFORMANCE	SIZES / FINISHES
<p>SHEET METAL - (Carbon Steel) ASTM A1008 / A1008M</p> <p>Mill Galvanized / Zinc Coating: ASTM A641 / A641M (0.10 Oz per sq ft)</p> <p>Hot Dip Galvanized after fabrication / Zinc Coating ASTM A153 / A153M-B2 (1.50 oz per sq ft)</p> <p>Stainless Steel ASTM 580 / ASTM 580M Type 304 (Type 316 available on special order)</p> <p>ASTM A82 / A82M - (Cold drawn steel wire) Tensile Strength - 80,000 psi Yield Point - 70,000 psi</p> <p>ACI / ASCE 530 - (Building code requirements for masonry structures)</p> <p>Steel Products (flats): Mill Galvanized & Hot Dip, 59.2% Post-Consumer 8.8% Post Industrial / Pre - Consumer</p> <p>Stainless Steel, 60% Post Consumer V O C Content - 0%</p> <p>WIRE Recycled Content: Mill Galvanized & Hot Dip, 85% Post-Consumer 13% Post Industrial / Pre - Consumer</p> <p>Stainless Steel, 60% Post Consumer V O C Content - 0%</p>	<p># 1004 Type III X: 1-1/4" wide x 6" long</p> <p><input type="checkbox"/> 14 gauge <input type="checkbox"/> 12 gauge</p> <p>(Prong length to accommodate insulation)</p> <p>INSULATION:</p> <p><input type="checkbox"/> 1" <input type="checkbox"/> 1- 1/2" <input type="checkbox"/> 2" <input type="checkbox"/> 2- 1/2" <input type="checkbox"/> 3"</p> <p># 1100 Triangle:</p> <p><input type="checkbox"/> 3/16"Ø <input type="checkbox"/> 1/4"Ø</p> <p><input type="checkbox"/> 3"x3" <input type="checkbox"/> 4"x4" <input type="checkbox"/> 5"x5" <input type="checkbox"/> 6"x6" <input type="checkbox"/> 7"x9" <input type="checkbox"/> 9" x 9"</p> <p>Straight & Cut Seismic Wire</p> <p><input type="checkbox"/> 9 gauge <input type="checkbox"/> 3/16"Ø</p> <p>FINISH:</p> <p><input type="checkbox"/> Mill Galvanized <input type="checkbox"/> Hot Dip Galvanized <input type="checkbox"/> Stainless Steel</p> 

Corporate Office: 400 Roundtree Rd Charlotte, NC 28217
TEL: (800) 849-6722 FAX: (704) 525-3761

Mailing Address: P.O. Box 240988 Charlotte, NC 28224



www.wirebond.com

Memphis Plant: 2365 Harbor Ave. Memphis, TN 38113
TEL: (800) 441-8359 FAX: (901) 775-9449

Mailing Address: P.O. Box 13124 Memphis, TN 38113